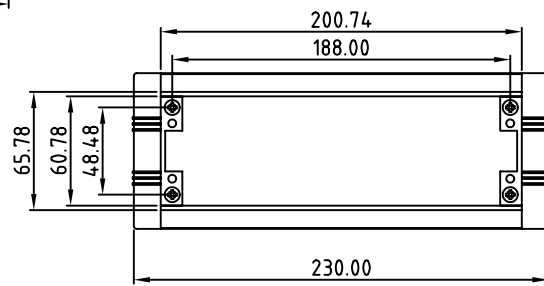
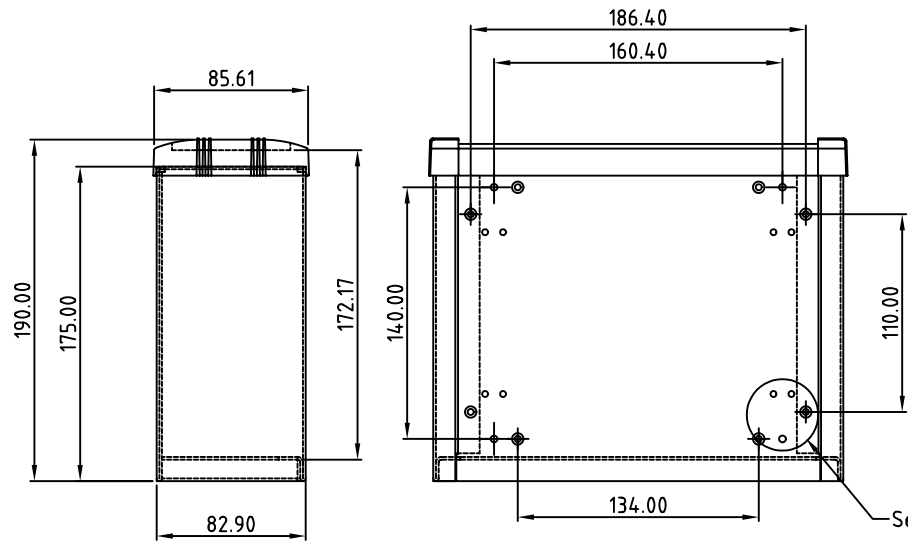
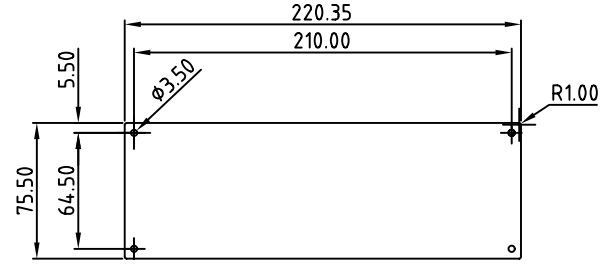
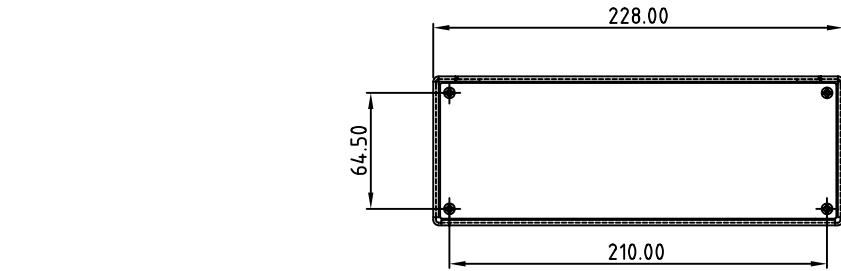
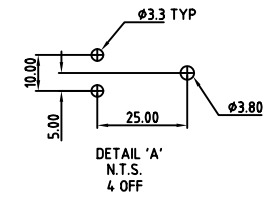


FIRST ANGLE PROJECTION



See Detail 'A'



Note: Subject to technical modifications without prior notice.
 Typographical and other errors do not justify any claim for damages.
 All dimensions should be verified using the actual case.

Modifications	Iss
	1

Tolerances unless otherwise stated:

General tolerances ± 0.20
 Resultant tolerances between hole centers ± 0.15
 Tolerances on hole diameters ± 0.05
 Angles $\pm 0.5^\circ$
 Surface finish $3.2/\sqrt{\quad}$

Required Finish:	Scale: 1:4	ALL DIMENSIONS IN MILLIMETRES			DO NOT SCALE
Drawn by: Ian Cox	Checked By:	Drawing Number: M5623105	Date drawn: August '05	Material Spec.	
 www.metcase.com		METCASE ENCLOSURES Unit 3, Mitchell Close Segensworth East, Fareham, Hampshire, PO15 5SE, UK.		Part Name: UNIMET 2	Sheet 1 of 1
				Part Number: M5623105	
<small>© OKW ENCLOSURES LTD; DATE AS SHOWN. THIS DRAWING CONTAINS PROPRIETARY INFORMATION OF OKW ENCLOSURES LTD AND IS TENDERED SUBJECT TO THE FOLLOWING CONDITIONS: THE INFORMATION BE RETAINED IN CONFIDENCE, NOT BE REPRODUCED OR COPIED, AND NOT BE USED OR INCORPORATED IN ANY PRODUCT, UNLESS PERMISSION IS OBTAINED IN WRITING FROM OKW ENCLOSURES LTD.</small>					