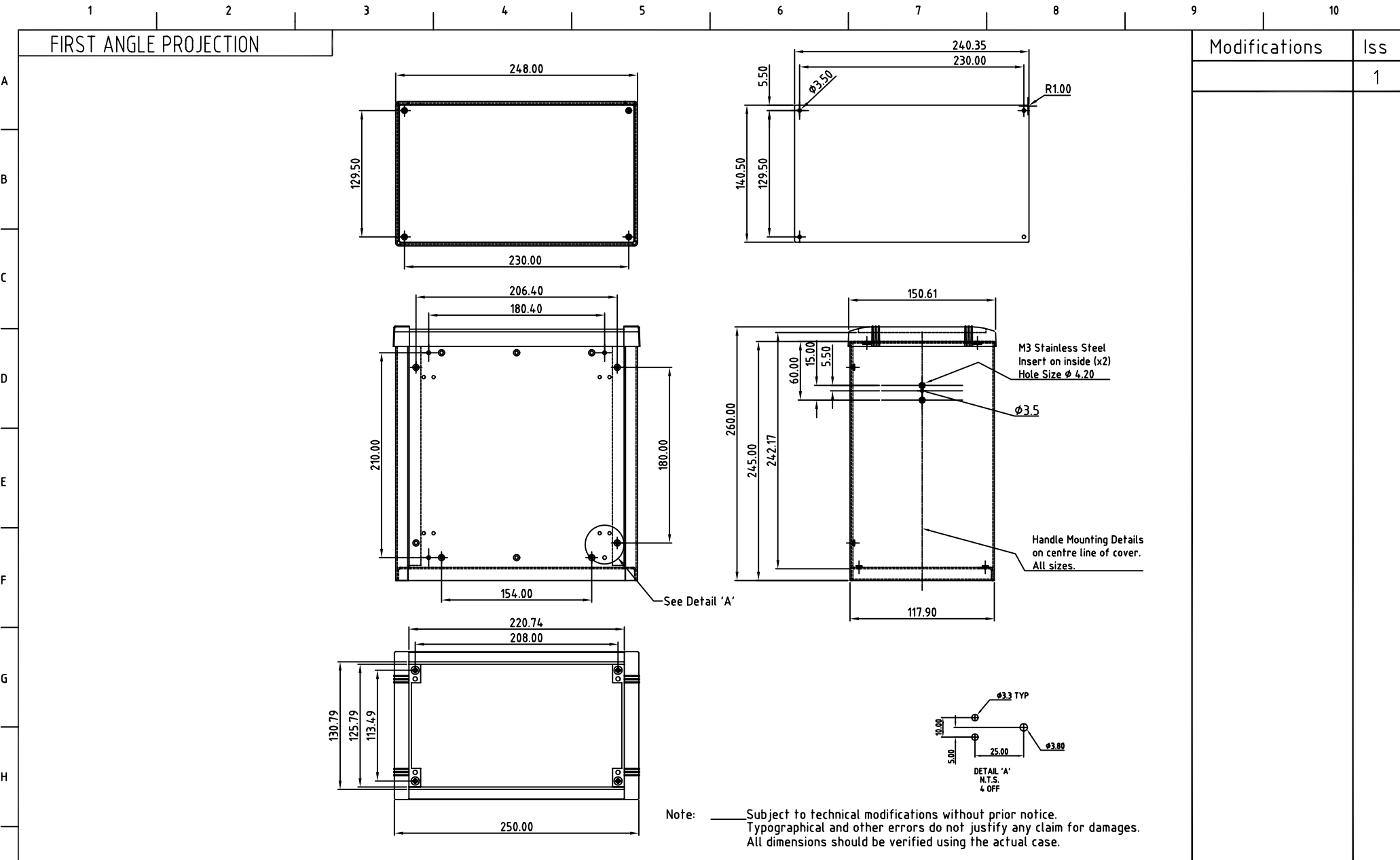


FIRST ANGLE PROJECTION



| Modifications | Iss |
|---------------|-----|
| | 1 |

Note: — Subject to technical modifications without prior notice.
 Typographical and other errors do not justify any claim for damages.
 All dimensions should be verified using the actual case.

| | |
|---|--------|
| Tolerances unless otherwise stated: | |
| General tolerances | ±0.20 |
| Resultant tolerances between hole centers | ±0.15 |
| Tolerances on hole diameters | ±0.05 |
| Angles | ± 0.5° |
| Surface finish | 3.2/ |

| | | | | | |
|--|-------------|--|------------------------|-----------------------|--------------|
| Required Finish: | Scale: 1:5 | ALL DIMENSIONS IN MILLIMETRES | | | DO NOT SCALE |
| Drawn by: Ian Cox | Checked By: | Drawing Number: M5625325 | Date drawn: August '05 | Material Spec. | |
| METcase | | METCASE ENCLOSURES | | Part Name: UNIMET 5H | |
| www.metcase.com | | Unit 3, Mitchell Close Segensworth East, Fareham, Hampshire, PO15 5SE, UK. | | Part Number: M5625325 | |
| ©OKW ENCLOSURES LTD, DATE AS SHOWN. THIS DRAWING CONTAINS PROPRIETARY INFORMATION OF OKW ENCLOSURES LTD AND IS TENDERED SUBJECT TO THE FOLLOWING CONDITIONS: THE INFORMATION BE RETAINED IN CONFIDENCE, NOT BE REPRODUCED OR COPIED, AND NOT BE USED OR INCORPORATED IN ANY PRODUCT, UNLESS PERMISSION IS OBTAINED IN WRITING FROM OKW ENCLOSURES LTD. | | | | | Sheet 1 of 1 |
| | | | | | A4 |