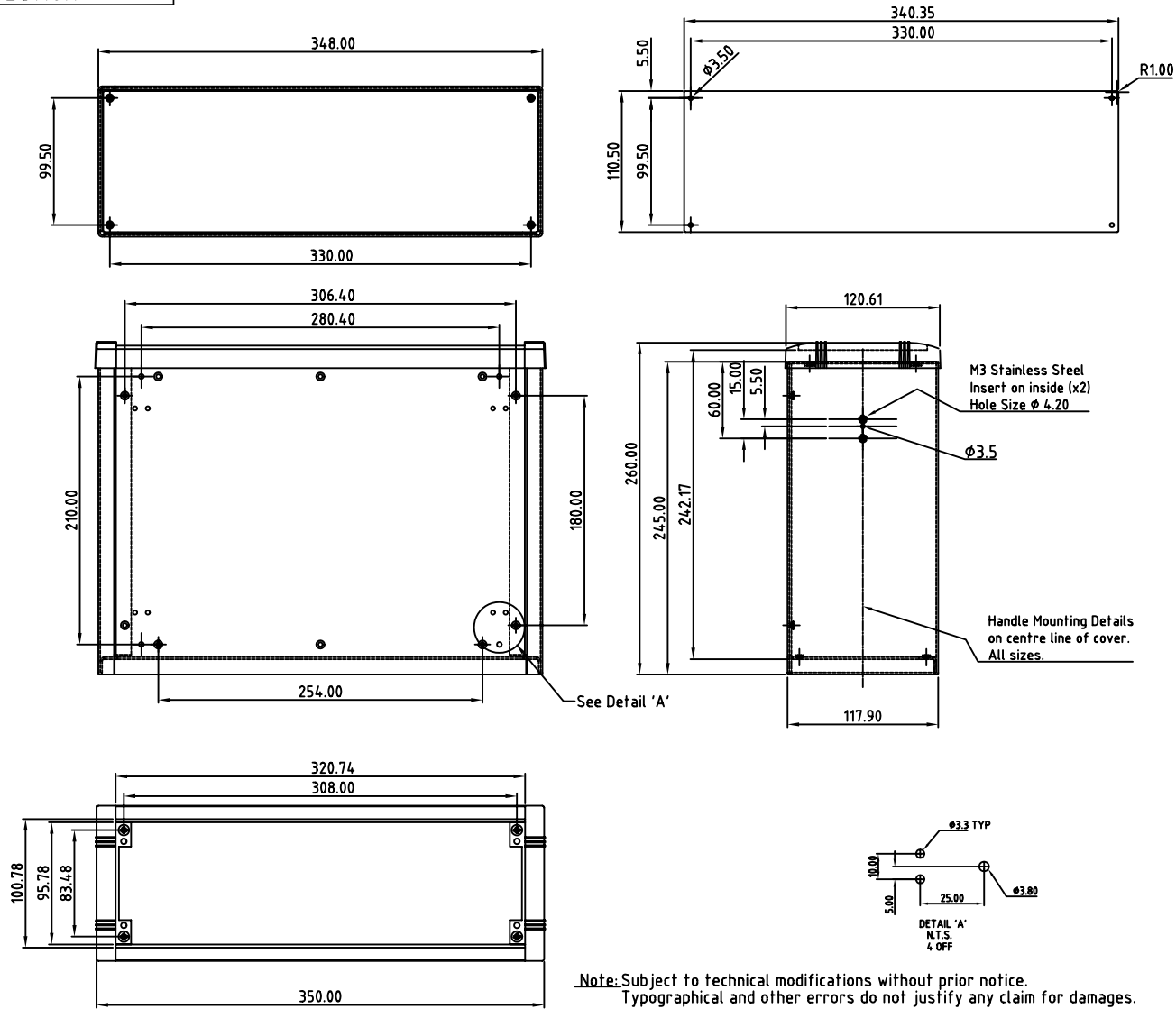


FIRST ANGLE PROJECTION



Note: Subject to technical modifications without prior notice.
 Typographical and other errors do not justify any claim for damages.
 All dimensions should be verified using the actual case.

Modifications	Iss
	1

Tolerances unless otherwise stated: General tolerances ± 0.20 Resultant tolerances between hole centers ± 0.15 Tolerances on hole diameters ± 0.05 Angles $\pm 0.5^\circ$ Surface finish 3.2 ✓	Required Finish:	Scale: 1:5	ALL DIMENSIONS IN MILLIMETRES			DO NOT SCALE
	Drawn by: Ian Cox	Checked By:	Drawing Number: M5635225	Date drawn: August '05	Material Spec.	
	METcase METCASE ENCLOSURES Unit 3, Mitchell Close Segensworth East, Fareham, Hampshire, PO15 5SE, UK. www.metcase.com		Part Name: UNIMET 4H Part Number: M5635225		Sheet 1 of 1	
©OKW ENCLOSURES LTD, DATE AS SHOWN. THIS DRAWING CONTAINS PROPRIETARY INFORMATION OF OKW ENCLOSURES LTD AND IS TENDERED SUBJECT TO THE FOLLOWING CONDITIONS: THE INFORMATION BE RETAINED IN CONFIDENCE, NOT BE REPRODUCED OR COPIED, AND NOT BE USED OR INCORPORATED IN ANY PRODUCT, UNLESS PERMISSION IS OBTAINED IN WRITING FROM OKW ENCLOSURES LTD.						