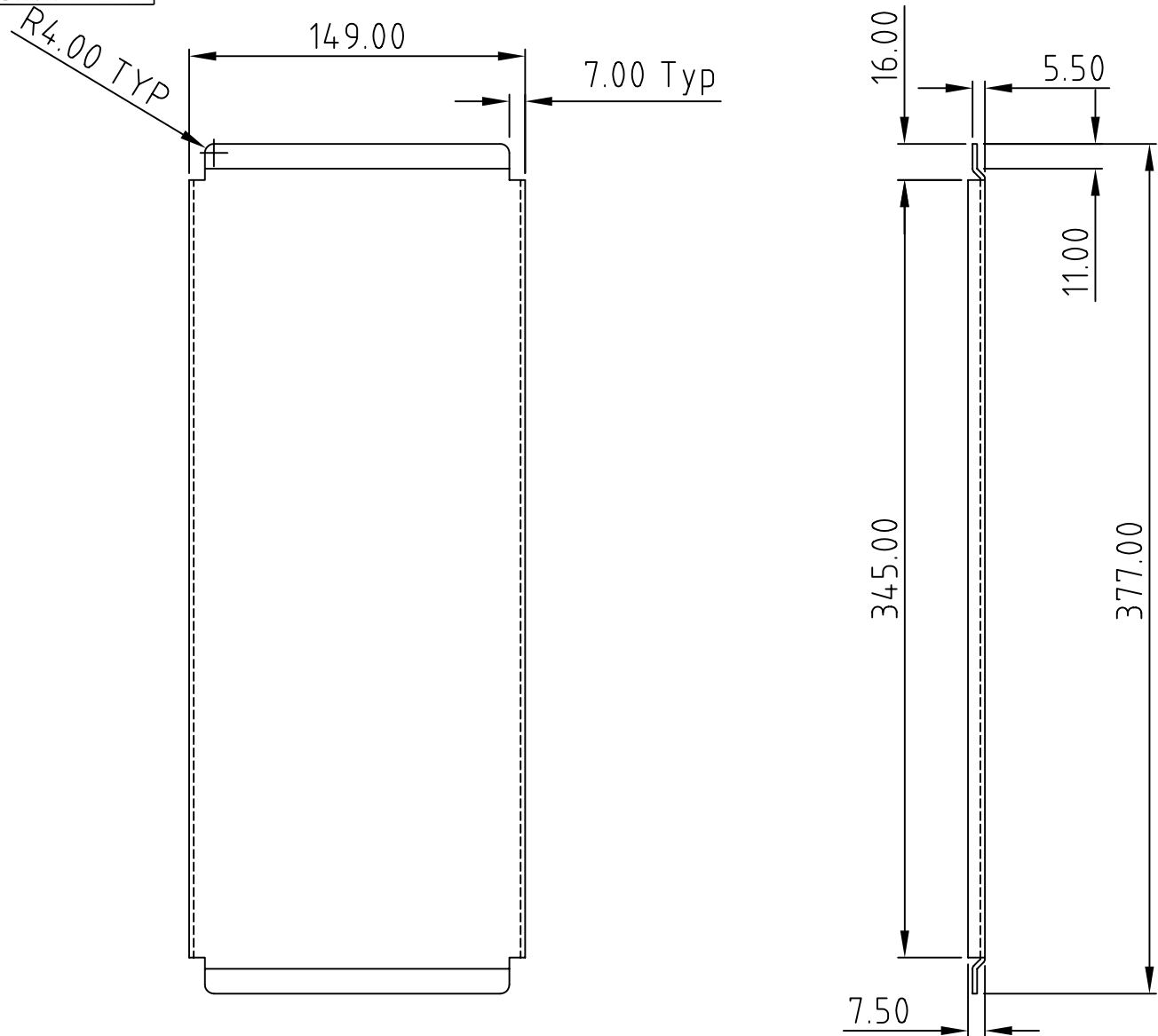



FIRST ANGLE PROJECTION

A
B
C
D
E
F
G
H
I
J



Modifications	Iss
	1

Tolerances unless otherwise stated: General tolerances ±0.20 Resultant tolerances between hole centers ±0.15 Tolerances on hole diameters ±0.05 Angles ± 0.5° Surface finish 32/	Required Finish: No finish	Scale: 1:2	ALL DIMENSIONS IN MILLIMETRES			DO NOT SCALE
	Drawn by: Ian Cox	Checked By:	Drawing Number M5900201	Date drawn: August '05	Material Spec. 1.5mm aluminium	
 METCASE ENCLOSURES Unit 3, Mitchell Close Segensworth East, Fareham, Hampshire, PO15 5SE, UK. www.metcase.com		Part Name Chassis Plate 167.5mm		Part Number M5900201		Sheet 1 of 1
<small>©OKW ENCLOSURES LTD (DATE AS SHOWN). THIS DRAWING CONTAINS PROPRIETARY INFORMATION OF OKW ENCLOSURES LTD AND IS TENDERED SUBJECT TO THE FOLLOWING CONDITIONS: THE INFORMATION BE RETAINED IN CONFIDENCE, NOT BE REPRODUCED OR COPIED, AND NOT BE USED OR INCORPORATED IN ANY PRODUCT, UNLESS PERMISSION IS OBTAINED IN WRITING FROM OKW ENCLOSURES LTD.</small>						A3

Note:
Subject to technical modifications without prior notice.
Typographical and other errors do not justify any claim for damages.
All dimensions should be verified using the actual case.