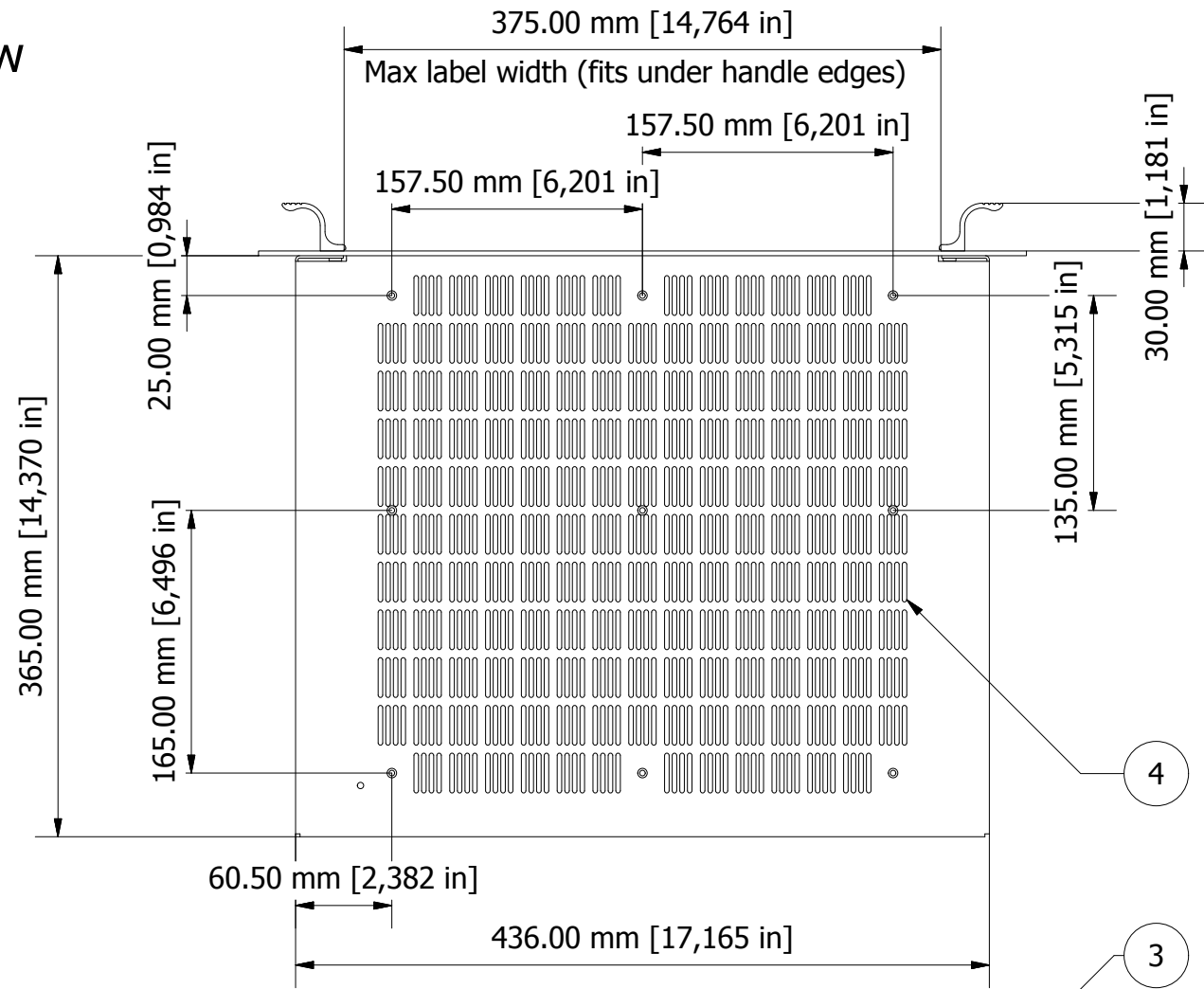
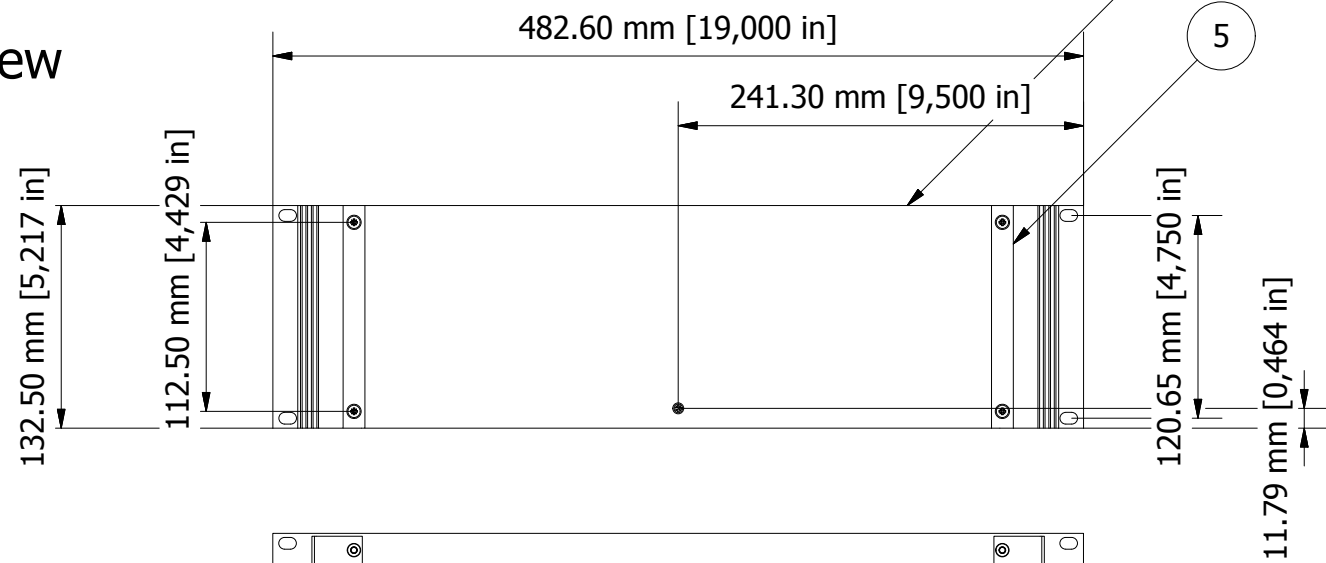


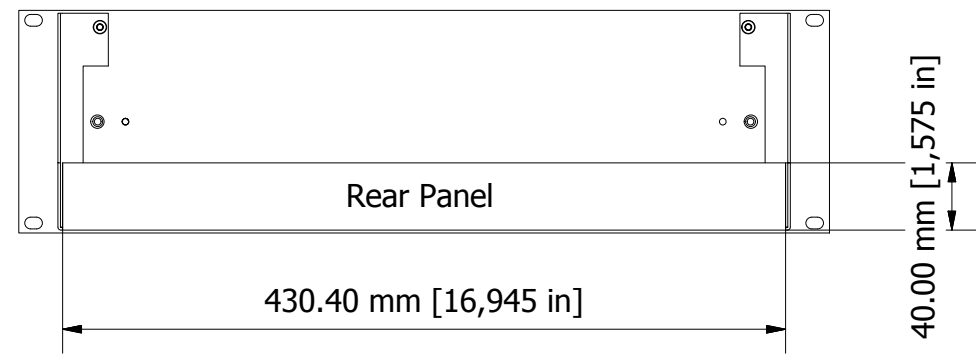
Base View



Front View



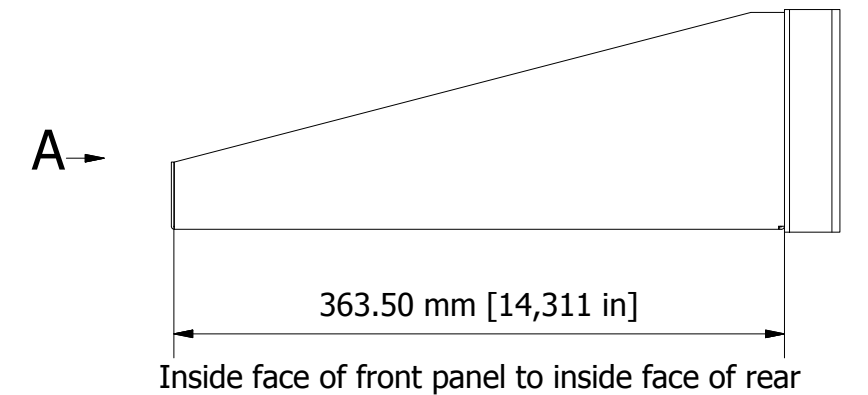
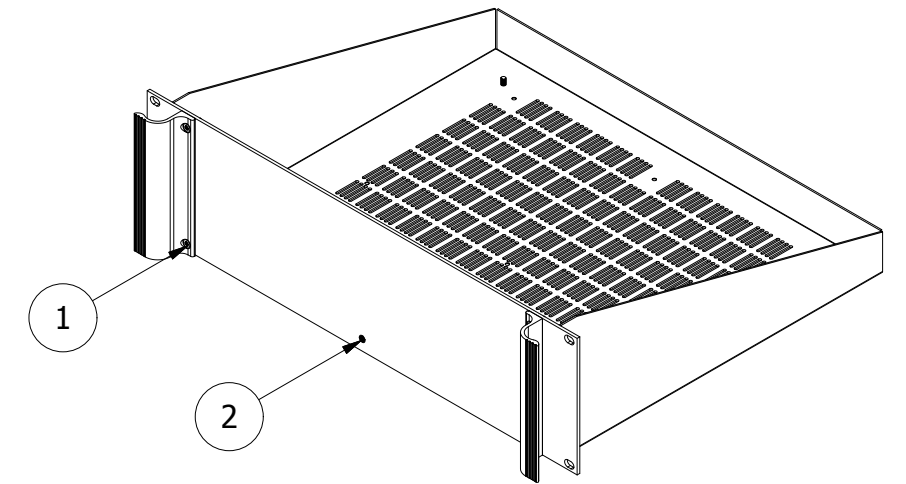
Rear View



| PARTS LIST | | | |
|------------|-----|----------------------|---------------------------|
| ITEM | QTY | PART NUMBER | DESCRIPTION |
| 1 | 4 | M4 x 16 mm CSK Screw | Handle Fixing Screws |
| 2 | 1 | M3 x 6 mm CSK Screw | Front Panel Support Screw |
| 3 | 1 | M6119130 | Front Panel |
| 4 | 1 | M6103335 | Tray |
| 5 | 2 | M6200305 | Handles |

Notes:

Case metalwork is made from 1.5 mm aluminium and painted RAL 7035 fine texture light grey.
 Front panel is made from 3 mm aluminium with a clear etch and anodise finish.
 Handles made from aluminium extrusion and painted RAL 7035 fine texture light grey.
 All parts fitted with M4 earth stud.



Side View

FIRST ANGLE PROJECTION

| | | | |
|--|--|---|-----------------------|
| Designed by L Clark | Description Combimet Version T 3U x 19" x 365 mm - Grey | Date 19/01/2015 | Scale 1:4.5 |
| METCASE ENCLOSURES 15 Brunel Way, Segensworth East, Fareham, Hampshire, PO15 5TX, UK. Tel: +44 (0)1489 583858 Email: metcase@okw.co.uk | | METcase™ www.metcase.com Part Number M6119335 | |
| | | Issue 1 | Sheet 1 / 1 |

© OKW Enclosures Ltd (Date as shown). This drawing contains proprietary information of OKW Enclosures Ltd and is tendered subject to the following conditions. The information be retained in confidence, not be reproduced or copied, and not be used or incorporated in any product, unless permission is obtained in writing from OKW Enclosures Ltd.