

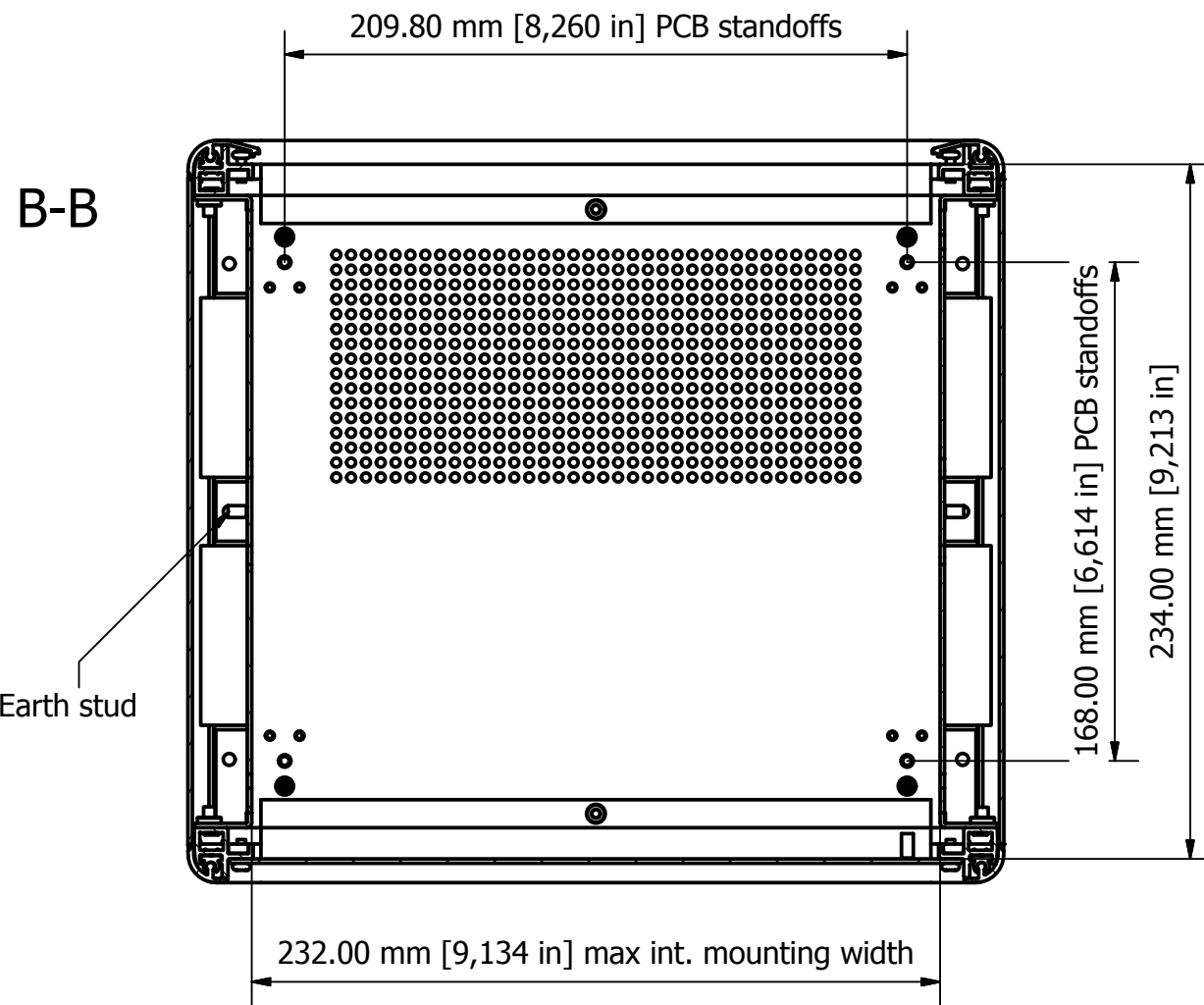
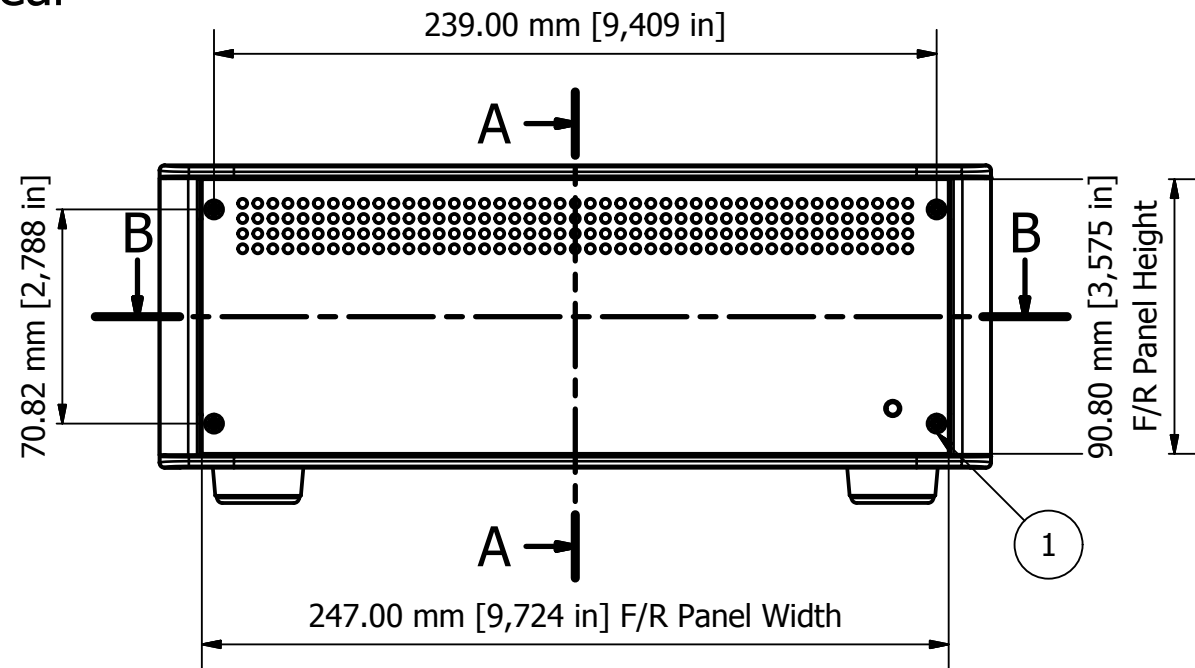
PARTS LIST			
ITEM	QTY	PART NUMBER	DESCRIPTION
1	8	M3x8mm Pan	Rear Panel Screws
2	8	M4x16mm CSK	Bezel Assembly Screws
3	2	M3x6mm CSK	Base Panel Screws
4	8	M6420000	Clip for Trims
5	2	M6420204 flat	Rear Non-Tilt Foot
6	2	M6420204 tilt	Front Tilt Foot
7	2	M6401034	Front/Rear Bezel
8	1	M6402314	Wrap Around Cover
9	1	M6403334	Base/Internal Sides Sub-Assy
10	1	M6403434	Rear Panel - 1.5 mm thick
11	2	M6400052	Front Trim
12	2	M6400072	Rear Trim

Front panel (M6400702) sold seperately

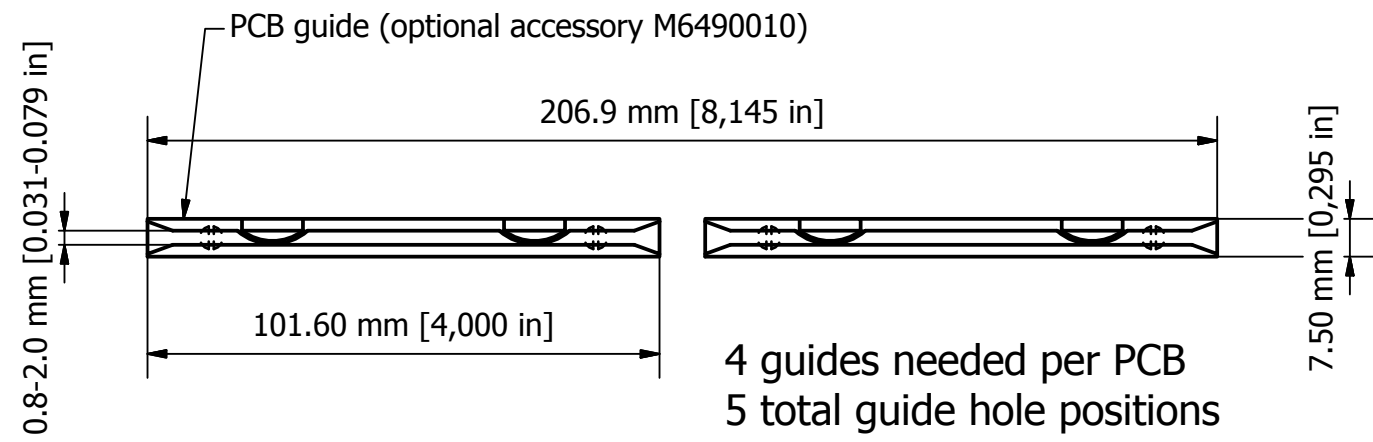
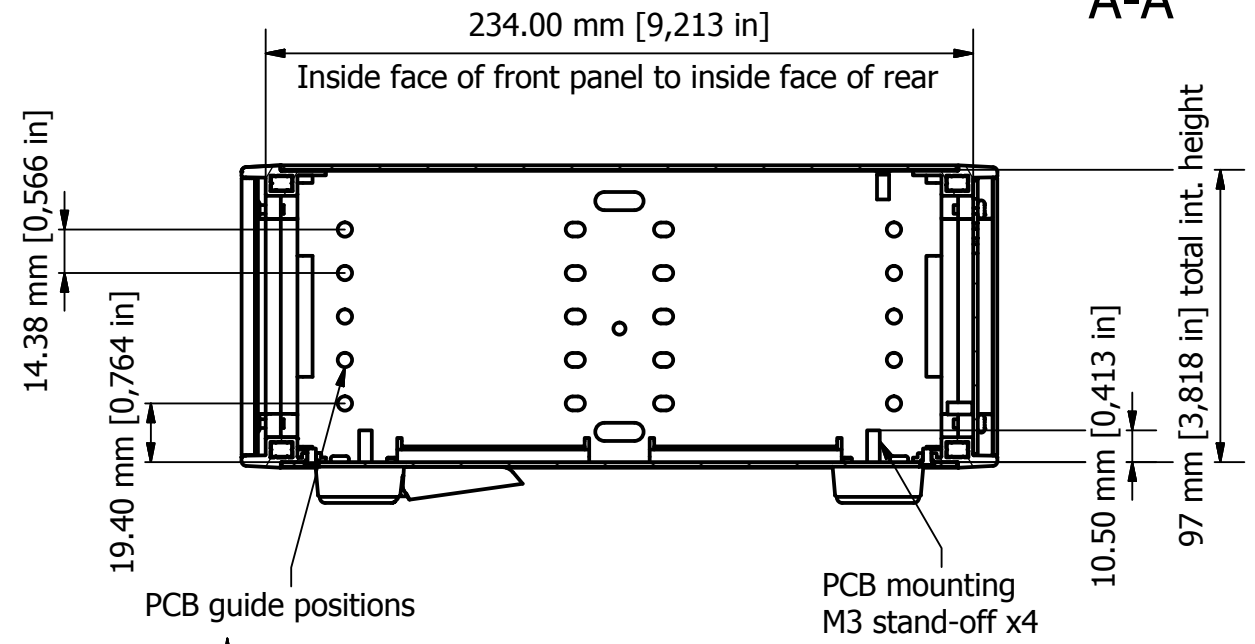
© OKW Enclosures Ltd (Date as shown). This drawing contains proprietary information of OKW Enclosures Ltd and is tendered subject to the following conditions. The information be retained in confidence, not be reproduced or copied, and not be used or incorporated in any product, unless permission is obtained in writing from OKW Enclosures Ltd.

Designed by L Clark	Description Technomet R210 - Anthracite RAL 7016	Date 25/08/2016	Scale 1:2
METCASE ENCLOSURES 15 Brunel Way, Segensworth East, Fareham, Hampshire, PO15 5TX, UK. Tel: +44 (0)1489 583858 Email: metcase@okw.co.uk		METcase™ www.metcase.com Part Number M6427124	
		Issue 1	Sheet 1 / 2

Rear



A-A



Suggested max PCB profile
(For PCB pillars or card guide accessory)

Notes:

- 1) Case is fabricated from 1.5 mm aluminium sheet with diecast and extrusion bezels.
- 2) Case is powder coat painted RAL 7016 fine texture anthracite.
- 3) Supplied with 4 colour matching Technofeet.
- 4) Cover, rear and chassis assembly all have M4 x 8 mm earth studs.
- 5) Front panel screws supplied with each case. (M3 x 8 mm pan).

FIRST ANGLE PROJECTION

Designed by L Clark	Description Technomet R210 - Anthracite RAL 7016	Date 25/08/2016	Scale 1:2
METCASE ENCLOSURES 15 Brunel Way, Segensworth East, Fareham, Hampshire, PO15 5TX, UK. Tel: +44 (0)1489 583858 Email: metcase@okw.co.uk		METcase™ www.metcase.com Part Number M6427124	
		Issue 1	Sheet 2 / 2