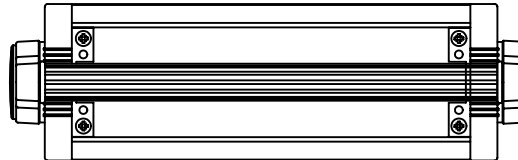
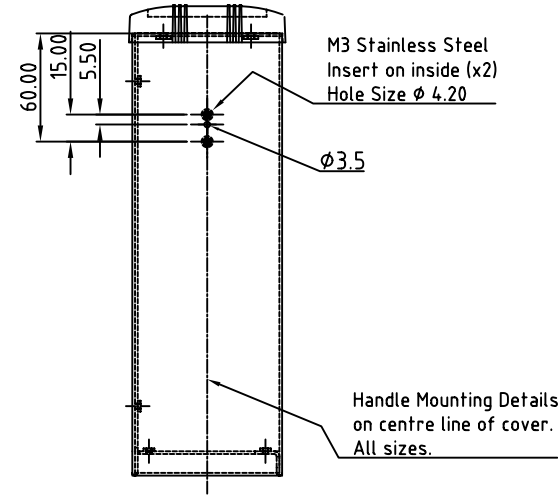
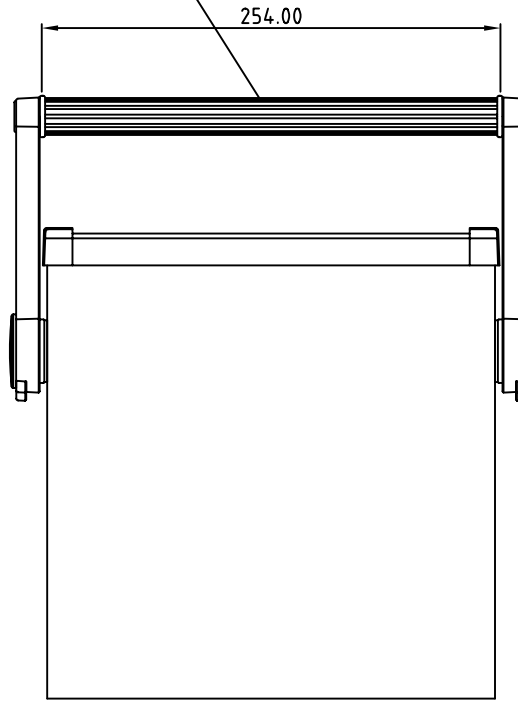
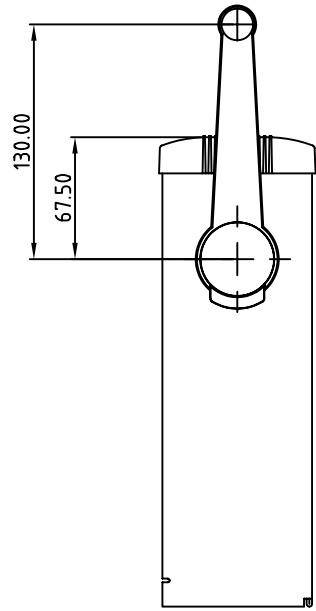


FIRST ANGLE PROJECTION

HANDLE BAR PARTNo. M5600025

SIDE ARM KIT PARTNo. AS054231  
(2 SIDE ARMS PER KIT)



Note: Subject to technical modifications without prior notice.  
Typographical and other errors do not justify any claim for damages.  
All dimensions should be verified using the actual case.


Modifications

Iss

1

Tolerances unless otherwise stated:

General tolerances  $\pm 0.20$   
Resultant tolerances between hole centers  $\pm 0.15$   
Tolerances on hole diameters  $\pm 0.05$   
Angles  $\pm 0.5^\circ$   
Surface finish 3.2/

Required Finish	Scale: 1:4	ALL DIMENSIONS IN MILLIMETRES			DO NOT SCALE
Drawn by: Ian Cox	Checked By:	Drawing Number: Size3HandleAssy	Date drawn: August '05	Material Spec.	
 www.metcase.com		METCASE ENCLOSURES Unit 3, Mitchell Close Segensworth East, Fareham, Hampshire, PO15 5SE, UK.		Part Name: UNIMET 3H Part Number: M5625125	
		©OKW ENCLOSURES LTD, DATE AS SHOWN. THIS DRAWING CONTAINS PROPRIETARY INFORMATION OF OKW ENCLOSURES LTD AND IS TENDERED SUBJECT TO THE FOLLOWING CONDITIONS: THE INFORMATION BE RETAINED IN CONFIDENCE, NOT BE REPRODUCED OR COPIED, AND NOT BE USED OR INCORPORATED IN ANY PRODUCT, UNLESS PERMISSION IS OBTAINED IN WRITING FROM OKW ENCLOSURES LTD.			